



**COMMONWEALTH OF KENTUCKY
TRANSPORTATION CABINET**
Frankfort, Kentucky 40622
www.transportation.ky.gov/

Matthew G. Bevin
Governor

Greg Thomas
Secretary

April 24, 2017

CALL NO. 408
CONTRACT ID NO. 172955
ADDENDUM # 2

Subject: Knox County, 061GR17014
Letting April 28, 2017

- (1) Revised - Note - Page 48 of 64
- (2) Revised - Material Summary - Page 52 of 64
- (3) Revised - Bid Items - Page 64 of 64

Proposal revisions are available at <http://transportation.ky.gov/Construction-Procurement/>.

If you have any questions, please contact us at 502-564-3500.

Sincerely,

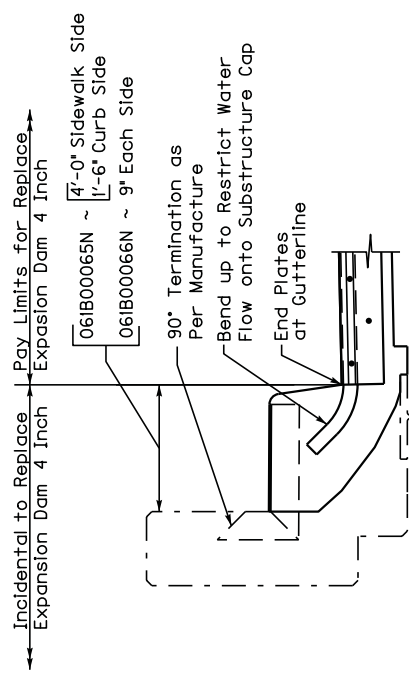
A handwritten signature in cursive script that reads "Rachel Mills".

Rachel Mills, P.E.
Director
Division of Construction Procurement

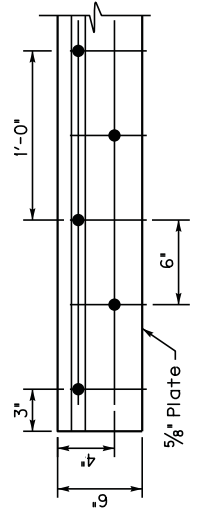
RM:ks
Enclosures



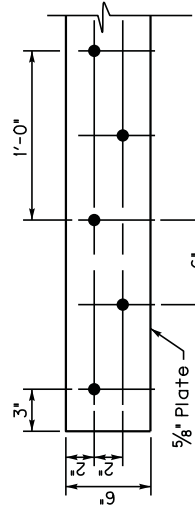
An Equal Opportunity Employer M/F/D



SECTION THROUGH PARAPET

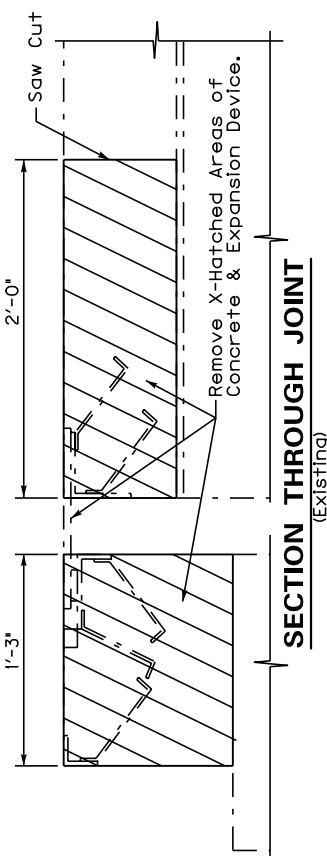


STUD PATTERN
(Joint)

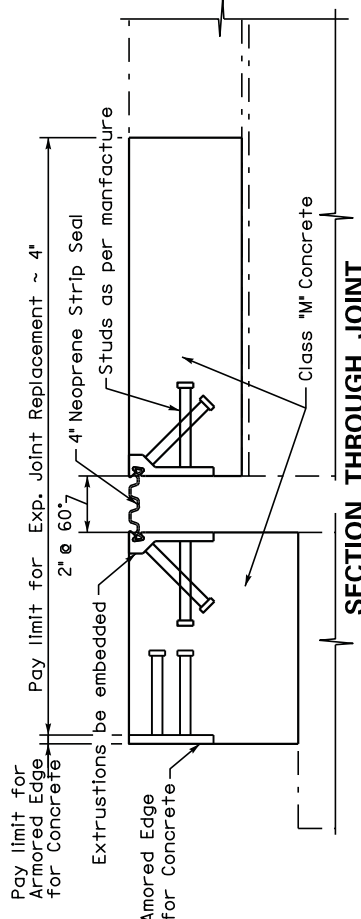


STUD PATTERN
(Armored Edge)

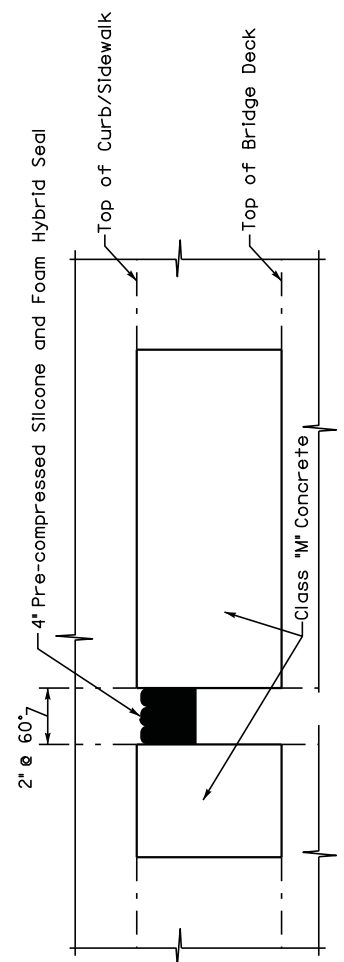
Note: See Special Note for Replacing Expansion Dams and/or Installing Armored Edges for Concrete on Bridges



SECTION THROUGH JOINT
(Existing)



SECTION THROUGH JOINT
(Proposed)



061GR17M014

Commonwealth of Kentucky DEPARTMENT OF HIGHWAYS
COUNTY KNOX
LAYOUT
PREPARED BY Division of Maintenance Bridge Preservation Branch

MATERIAL SUMMARY

CONTRACT ID: 172955

061GR17014

MB06100061701

KNOX COUNTY 061B00066N NORTH MAIN STREET
KY 06 OVER RICHLAND CREEK MP 13.48 BRIDGE PAINTING & CLEANING.

Project Line No	Bid Code	DESCRIPTION	Quantity	Unit
0045	02650	MAINTAIN & CONTROL TRAFFIC - - 061B00066N	1.00	LS
0050	03298	EXPAN JOINT REPLACE 4 IN - - 061B00066N	60.00	LF
0055	08434	CLEAN & PAINT STRUCTURAL STEEL - - 061B00066N	1.00	LS
0060	23949EC	BRIDGE CLEANING & PREVENTIVE MAINTENANCE - - 061B00066N	1.00	LS
0065	02568	MOBILIZATION	1.00	LS
0070	02569	DEMOBILIZATION	1.00	LS
0075	21969NN	BEARING REPLACEMENT - - 061B00066N	8.00	EACH
0080	08435	JACK & SUPPORT BRIDGE SPAN - - 061B00066N	1.00	LS
0085	24692EC	DECK DRAIN RETROFIT - - 061B00066N	1.00	EACH
0090	02671	PORTABLE CHANGEABLE MESSAGE SIGN - - 061B00066N	2.00	EACH
0095	03299	ARMORED EDGE FOR CONCRETE - - 061B00066N (ADDED: 4-24-17)	60.00	LF

CONTRACT ID: 172955

061GR17014

MB06100111701

KNOX COUNTY 061B00065N SOUTH MAIN STREET
KY 11 OVER CUMBERLAND RIVER MP09.38 BRIDGE PAINTING & CLEANING.

Project Line No	Bid Code	DESCRIPTION	Quantity	Unit
0005	02650	MAINTAIN & CONTROL TRAFFIC - - 061B00065N	1.00	LS
0010	08434	CLEAN & PAINT STRUCTURAL STEEL - - 061B00065N	1.00	LS
0015	02568	MOBILIZATION	1.00	LS
0020	02569	DEMOBILIZATION	1.00	LS
0025	23949EC	BRIDGE CLEANING & PREVENTIVE MAINTENANCE - - 061B00065N	1.00	LS
0030	03298	EXPAN JOINT REPLACE 4 IN - - 061B00065N	73.00	LF
0035	02671	PORTABLE CHANGEABLE MESSAGE SIGN - - 061B00065N	2.00	EACH
0040	03299	ARMORED EDGE FOR CONCRETE - - 061B00065N (ADDED: 4-24-17)	73.00	LF

PROPOSAL BID ITEMS

172955

Page 1 of 1

Report Date 4/24/17

Section: 0001 - BRIDGES

LINE	BID CODE	ALT	DESCRIPTION	QUANTITY	UNIT	UNIT PRIC	FP	AMOUNT
0010	02650		MAINTAIN & CONTROL TRAFFIC - 061B00066N	1.00	LS		\$	
0020	02671		PORTABLE CHANGEABLE MESSAGE SIGN - 061B00066N	2.00	EACH		\$	
0030	03298		EXPAN JOINT REPLACE 4 IN - 061B00066N	60.00	LF		\$	
0031	03299		ARMORED EDGE FOR CONCRETE - 061B00066N (ADDED: 4-24-17)	60.00	LF		\$	
0040	08434		CLEAN & PAINT STRUCTURAL STEEL - 061B00066N	1.00	LS		\$	
0050	08435		JACK & SUPPORT BRIDGE SPAN - 061B00066N	1.00	LS		\$	
0060	21969NN		BEARING REPLACEMENT - 061B00066N	8.00	EACH		\$	
0070	23949EC		BRIDGE CLEANING & PREVENTIVE MAINTENANCE - 061B00066N	1.00	LS		\$	
0080	24692EC		DECK DRAIN RETROFIT - 061B00066N	1.00	EACH		\$	

Section: 0002 - BRIDGES

LINE	BID CODE	ALT	DESCRIPTION	QUANTITY	UNIT	UNIT PRIC	FP	AMOUNT
0090	02650		MAINTAIN & CONTROL TRAFFIC - 061B00065N	1.00	LS		\$	
0100	02671		PORTABLE CHANGEABLE MESSAGE SIGN - 061B00065N	2.00	EACH		\$	
0110	03298		EXPAN JOINT REPLACE 4 IN - 061B00065N	73.00	LF		\$	
0111	03299		ARMORED EDGE FOR CONCRETE - 061B00065N (ADDED: 4-24-17)	73.00	LF		\$	
0120	08434		CLEAN & PAINT STRUCTURAL STEEL - 061B00065N	1.00	LS		\$	
0130	23949EC		BRIDGE CLEANING & PREVENTIVE MAINTENANCE - 061B00065N	1.00	LS		\$	

Section: 0003 - DEMOB

LINE	BID CODE	ALT	DESCRIPTION	QUANTITY	UNIT	UNIT PRIC	FP	AMOUNT
0140	02568		MOBILIZATION	1.00	LS		\$	
0150	02569		DEMOBILIZATION	1.00	LS		\$	